

PARTS BULLETIN

URGENT: Please distribute copies for the following people within your organization:

Owner Sales Customer Service Service Techs

Subject: Shim Kit for X10, XA10 and XA10LT

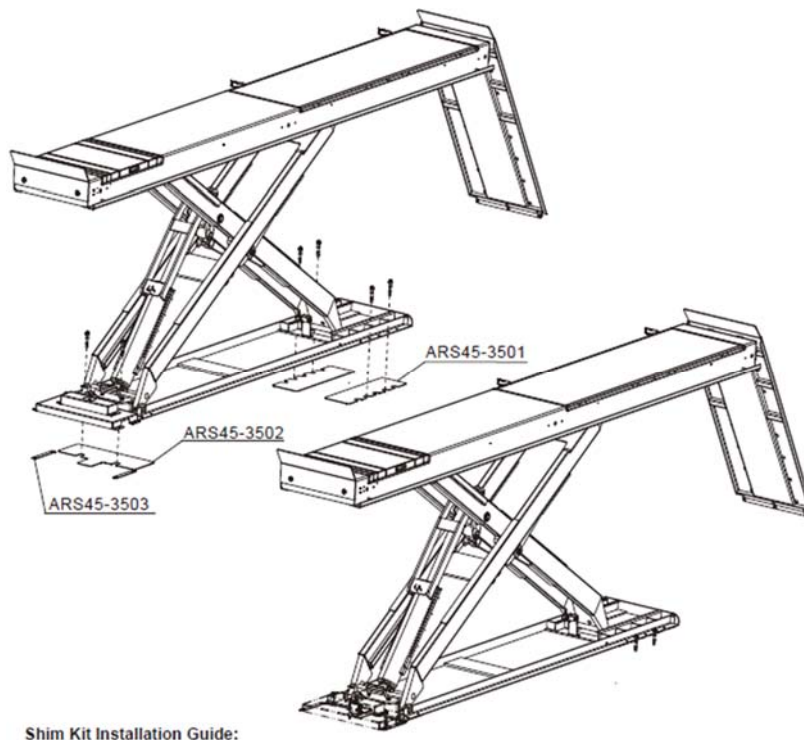
Dear valued distributor,

Please be noted that a new installation shim kit with part number XA10-SHK has been developed for the Rotary scissor lift models X10, XA10 and XA10LT.

When installing the Rotary X10 / XA10 / X10LT scissor lift, it may be necessary to shim if the floor is unlevel by more than 10mm (Front to rear). If shimming is required, then please use shim kit XA10-SHK.

The kit includes 8pcs ARS45-3501, 4pcs ARS45-3502 and 8pcs ARS45-3503 shim plates.

The installation position can be seen in the diagram below.



For any questions concerning this announcement, please direct to our customer support at huihua.lu@rotaryliftdasia.com.

Regards,

VSGA Customer Service

2020/03/30

No.1388,East Xiushan Road ,Haimen,Jiangsu Province,China,226100

<http://www.vsg-asia.com>